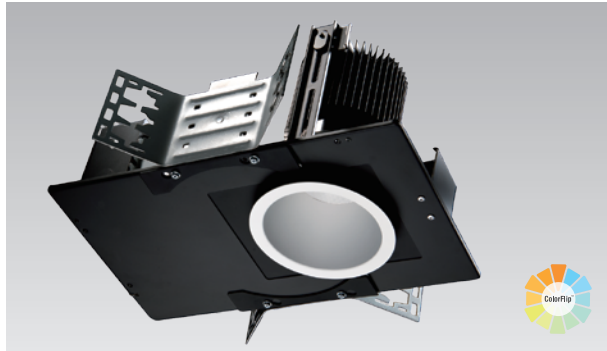


ADVANCED HIGH CEILING

4" REV New Construction Tunable White Version (ColorFlip™)



4-inch aperture high lumen recessed downlight with lumen output 1590 – 6610lm.

- ColorFlip™

Utilize latest flip chip technology for optimum efficacy, delivering consistent high lumen output with 105LPW at CRI85+ when color tuning from 2700K to 6500K. Compatible to all 0-10V and DMX dimming controls.

Standard version available, please refer to Standard spec sheet for more details.

Quantity		Type	
Project		Note	

Delivered Lumens*

ColorFlip™	2700K	3000K	3500K	4000K	4500K	5000K	5700K	6500K	*Lumen Multiplier 35° 45° 55° 0.91 0.89 baseline
DMX CCT Signal (%)	0%	10%	25%	45%	60%	70%	85%	100%	
0-10V CCT Voltage	0	1	2.5	4.5	6	7	8.5	10	
80W	5370 lm	5790 lm	6200 lm	6610 lm	6510 lm	6420 lm	6330 lm	6240 lm	
60W	4270 lm	4610 lm	4940 lm	5270 lm	5190 lm	5120 lm	5040 lm	4980 lm	
40W	3010 lm	3240 lm	3470 lm	3710 lm	3650 lm	3600 lm	3550 lm	3500 lm	
20W	1590 lm	1710 lm	1820lm	1950 lm	1930 lm	1890 lm	1860 lm	1840 lm	
CRI	85	86	87	88	89	88	87	86	

Electrical System

- 20W, 40W, 60W, 80W
- Power Input: 120V or 277V
- Operating Temperature: -40°F~104°F
- Surge Protection: 4KV- Remote
- Emergency Pack with Mounting Plate: Bodine BSL20LV

LED Technology

- ColorFlip™ (Tuning White: 2700K ↔ 6500K)
- 85+ CRI
- Beam Angle: 35°, 45°, 55° (Low trim ONLY)
- Rated Life > 60,000 hours (L70)

Advanced Dimming

(Proprietary VX Driver is incorporated to all dimming options for video flicker-free lighting)

- DMX: high resolutiondims to 0.1% (2 channel)
(Supports ANSI E1.20 RDM protocol)
- Superior 0-10V: dims to 1% (2 channel)
1 channel control dimming. 1 channel control CCT.

New Construction

- Non-IC Rated, insulation must kept >1ft from housing.
- Aperture: 4.25" (108mm)
- Oversize Trim: 5.25" (133mm)
- Ceiling Cutout: 5" (127mm)
- Maximum Ceiling Thickness: 2" (50.8mm)
- Light engine, optics, and driver(s) accessible from below ceiling
- Weight: 8.8 lbs
- *Note: C-Channel / Mounting Channels / T-Bar Hangers are by others.**

Warranty

- 5 year limited warranty



ADVANCED HIGH CEILING

4" REV New Construction

Tunable White Version (ColorFlip™)



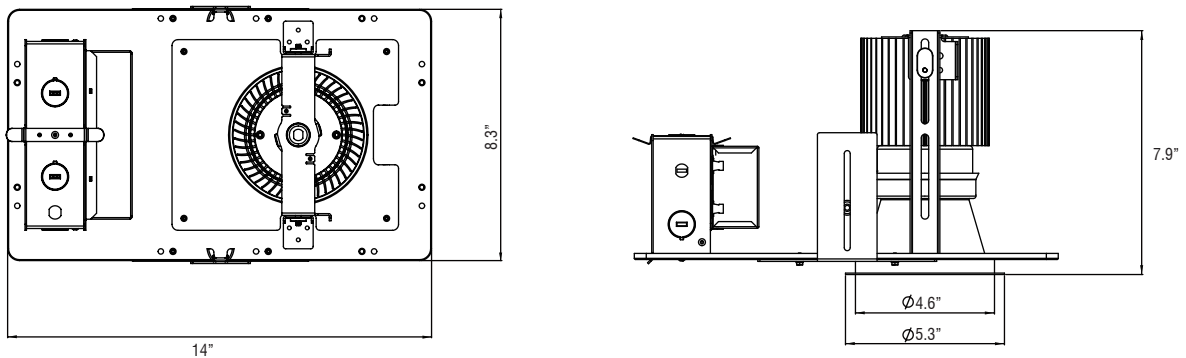
How To Specify:

Ordering Example: RS4N-80-TNW-120-SPV-35-WHT

4-5 weeks lead time on over 75% of specifications.

Model	Wattage	CCT	Voltage	Dimming
RS4N		TNW		
RS4N REV 4 inch with New Construction frame	20 20W 40 40W 60 60W 80 80W	TNW 2700K - 6500K	120 120V 277 277V	SPV Superior 0-10V dims to 1% DMX DMX dims to 0.1% (XLR Sockets) DMX(RJ45) DMX dims to 0.1% (RJ45 Sockets)
Beam Angle	Finish	Accessories		
35 35° with standard trim 45 45° with standard trim 55 55° with LOW trim	BLK Black WHT White	EMP Remote Emergency Pack		

Dimensions

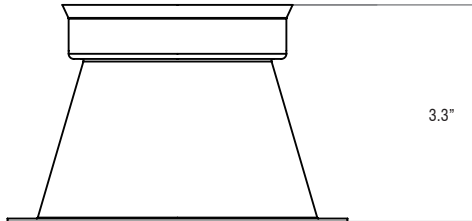


ADVANCED HIGH CEILING

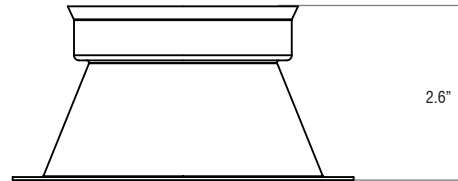
4" REV New Construction Tunable White Version (ColorFlip™)



Trim Type



Standard Trim



Low Trim

ADVANCED HIGH CEILING

4" REV New Construction Tunable White Version (ColorFlip™)

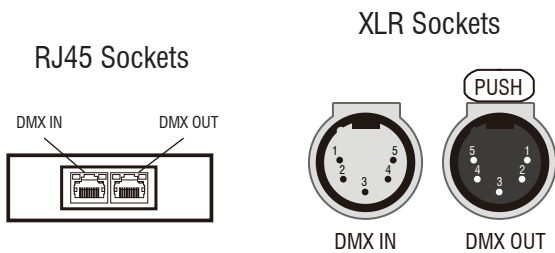


DMX Requirements*

Each 4" REV DMX unit has TWO CHANNELS per fixture (1 to control intensity, 1 to control color).
 Fixture will be controlled by DMX number controlling intensity.
 We do not recommend more than 15 fixtures per DMX daisy chain.
 When placing order, please indicate DMX address (refer to DMX Address example below).
 DMX address will be listed on the back of each fixture.

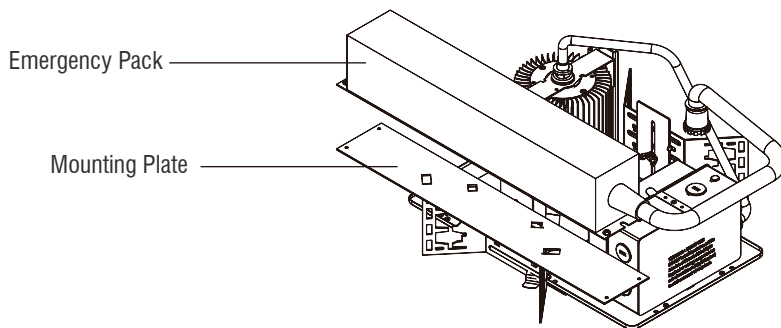
Fixture	DMX Address	
	Intensity Control (ex. X)	Color Control (ex. X+1)
#1	1	2
#2	3	4
#3	5	6

The LED fixture provide RJ45 Socket or XLR socket to connect. (DMX cable NOT included.)
 The final fixture should be terminated by the use of DMX Terminator (by others).



CONNECTION	RJ45 (CAT5e)	5-PIN XLR
Common	WHITE/BROWN(PIN7) & BROWN(PIN 8)	PIN 1
Signal -	ORANGE(PIN 2)	PIN 2
Signal +	WHITE/ORANGE(PIN 1)	PIN 3
Spare	-	PIN 4
Spare	-	PIN 5

Mounting Plate for Emergency Pack



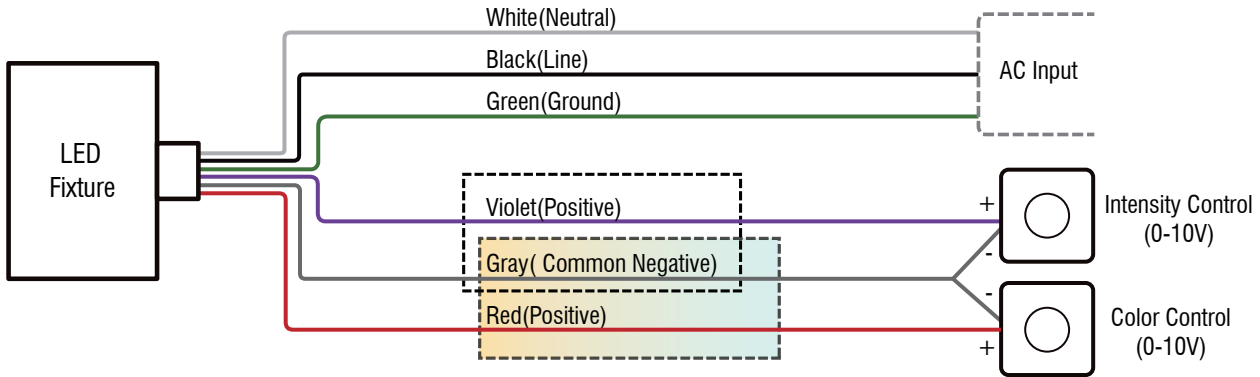
Emergency Pack Lumen Output Table

CCT	6500K
Lumen	1840 lm

4" REV New Construction Tunable White Version (ColorFlip™)



Superior 0-10V Wiring Diagram



DMX Wiring Diagram

